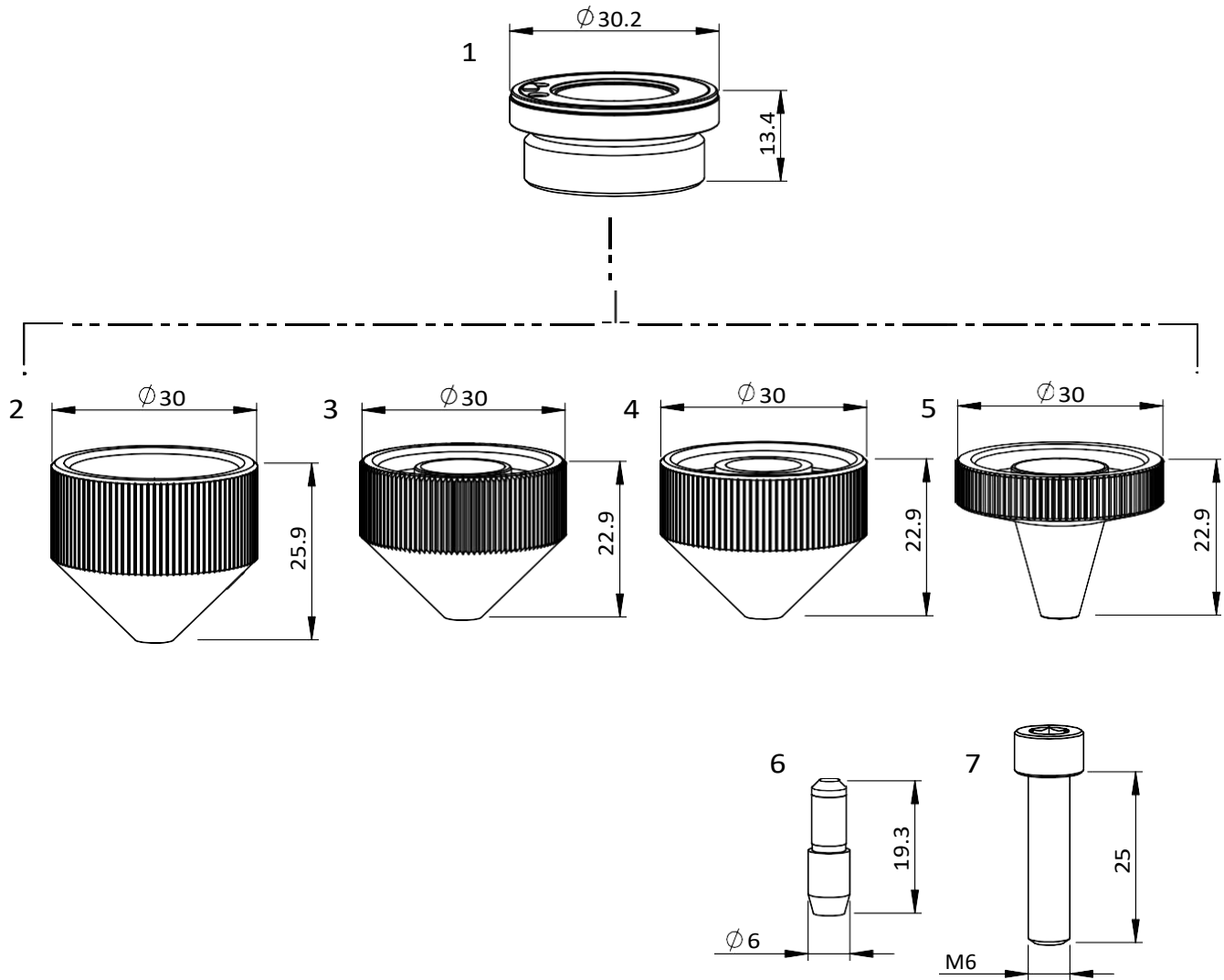

**Consumables**

	Centricut part number	Raysoar P/N	Reference number	Description	Pkg qty
1	MB327-0311		BQ980D311G02, LX54300, LCF9400	MB-Nozzle holder, EX insulation	1
2	MB327-1620	LMBN01-2210D	BQ983D150-H01, LX53100, LT09800	MB-Nozzle w/o-ring, 1.0 mm	1
	MB327-1633	LMBN01-2214D	BQ983D314-H01, LX69900, W1660-NC	MB-Nozzle w/o-ring, 1.4 mm	1
3	MB327-1621	LMBN01-2212D	BQ983D151-H01, LX53200, LT09900	MB-Nozzle w/o-ring, 1.2 mm	1
4	MB327-1622	LMBN01-2217D	BQ983D152-H01, LT10000	MB-Nozzle w/o-ring, 1.7 mm	1
5	MB327-1623	LMBN01-2215D	BQ983D153-H01, W1628-NC	MB-Nozzle w/o-ring, 1.5 mm	1
	MB327-1624	LMBN01-2220D	BQ983D153-H02, W1629-NC	MB-Nozzle w/o-ring, 2.0 mm	1
	MB327-1625	LMBN01-2225D	BQ983D314-H03, LX53500, BQ983D153-H03, LT10100	MB-Nozzle w/o-ring, 2.5 mm	1
	MB327-1626	LMBN01-2230D	BQ983D151-H04, BQ983D153-H04, LT10200	MB-Nozzle w/o-ring, 3.0 mm	1
	MB327-1627	LMBN01-2235D	BQ983D152-H05, BQ983D153-H05, LT10300	MB-Nozzle w/o-ring, 3.5 mm	1
6	MB327-0328		BQ980D328G01, LT10700	MB-Nozzle EX outer for single MB-nozzle	1

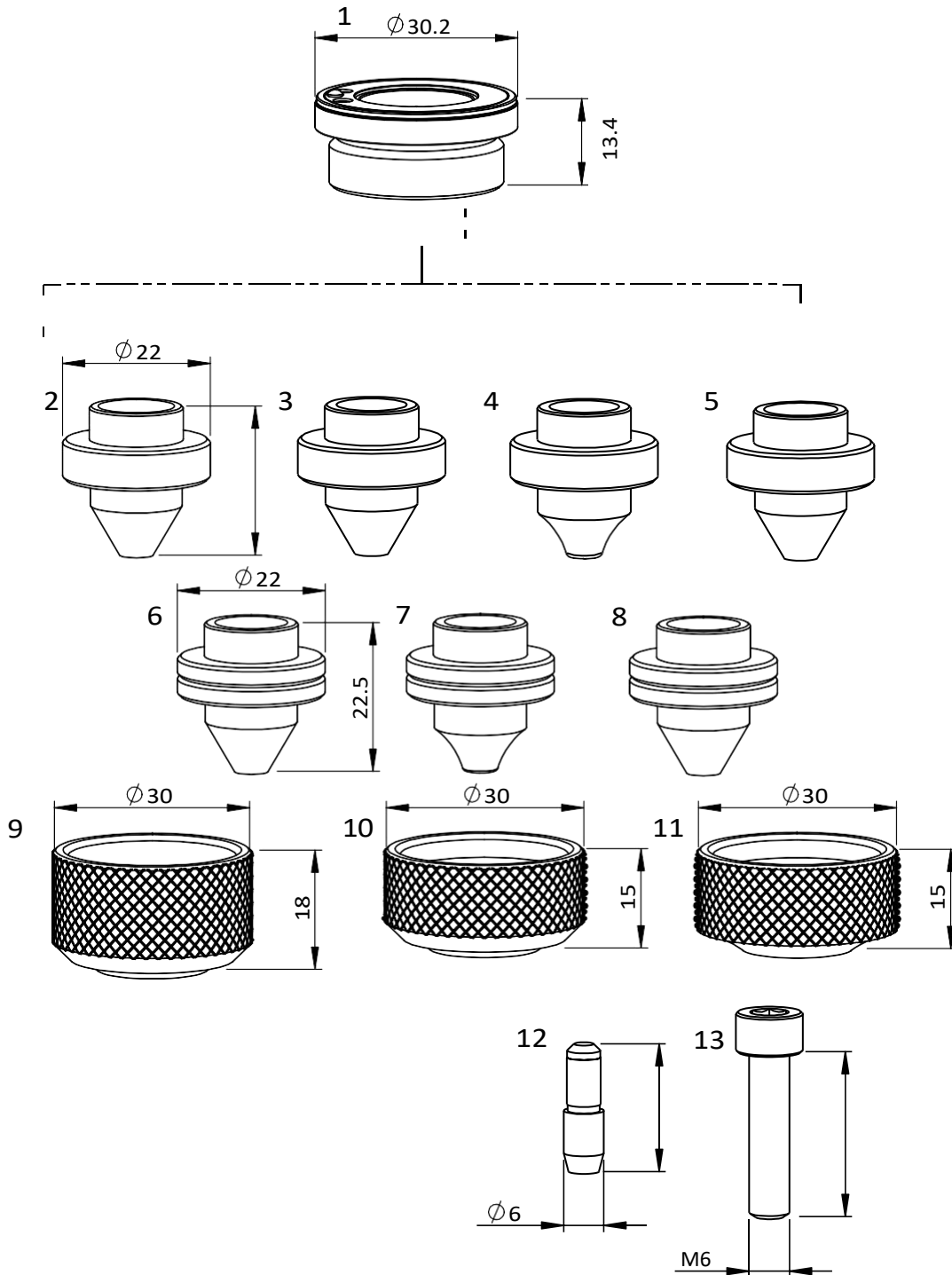

**Consumables**

	Centricut part number	Raysoar P/N	Reference number	Description	Pkg qty
1	MB334-0001		P0594-860-00001, PHX-INS	MB-Nozzle holder	1
	MB334-W290X (not shown)		W290, 71800107	MB-O-ring (10 pk)*	10
2	MB334-1249		W1249	MB-Nozzle, 1.0 mm	1
	MB334-1256		W1256	MB-Nozzle, 1.2 mm	1
	MB334-1250		W1250	MB-Nozzle, 1.5 mm	1
	MB334-1253		W1253	MB-Nozzle, 3.0 mm	1

## Consumables 易损件

	Centricut part number	Raysoar P/N	Reference number	Description	Pkg qty
	MB334-1626		W1626, W1626C	MB-Nozzle, 1.0 mm	1
	MB334-1627		W1627, W1627C	MB-Nozzle, 1.2 mm	1
	MB334-1625		W1660	MB-Nozzle, 1.4 mm	1
	MB334-1628		W1628	MB-Nozzle, 1.5 mm	1
	MB334-1661		W1661	MB-Nozzle, 1.7 mm	1
	MB334-1629		W1629	MB-Nozzle, 2.0 mm	1
	MB334-1630		W1630	MB-Nozzle, 2.5 mm	1
	MB334-1664		W1664	MB-Nozzle, 3.0 mm	1
	MB334-1665		W1665	MB-Nozzle, 3.5 mm	1
3	MB334-1666		W1666	MB-Nozzle, 4.0 mm	1
	MB334-1663		W1663	MB-Nozzle, 5.0 mm	1
	MB334-1626CP		W1626	MB-Nozzle, 1.0 mm CP	1
	MB334-1627CP		W1627	MB-Nozzle, 1.2 mm CP	1
	MB334-1628CP		W1628	MB-Nozzle, 1.5 mm CP	1
	MB334-1661CP			MB-Nozzle, 1.7 mm CP	1
	MB334-1629CP		W1629	MB-Nozzle, 2.0 mm CP	1
	MB334-1630CP		W1630	MB-Nozzle, 2.5 mm CP	1
	MB334-1664CP		W1664	MB-Nozzle, 3.0 mm CP	1
	MB334-1663CP			MB-Nozzle, 5.0 mm CP	1
	MB334-1626B		W1626B	MB-Nozzle low pressure, 1.0 mm	1
	MB334-1627B		W1627B	MB-Nozzle low pressure, 1.2 mm	1
4	MB334-1628B		W1628B	MB-Nozzle low pressure, 1.5 mm	1
	MB334-1629B		W1629B	MB-Nozzle low pressure, 2.0 mm	1
	MB334-1665B		W1665B	MB-Nozzle low pressure, 3.5 mm	1
5	MB334-1632		NCW1627C	MB-Nozzle narrow cone, 1.2 mm	1
	MB334-1634			MB-Nozzle narrow cone, 2.5 mm	1
6	AM416-0009		71800009, P921K000P25, JPZA5-6, LC47400	AM-Safety pin	1
7	AM416-A005		71800008, L2490A005, LC50700, P903K001P72, LQ36200	AM-Safety screw	1

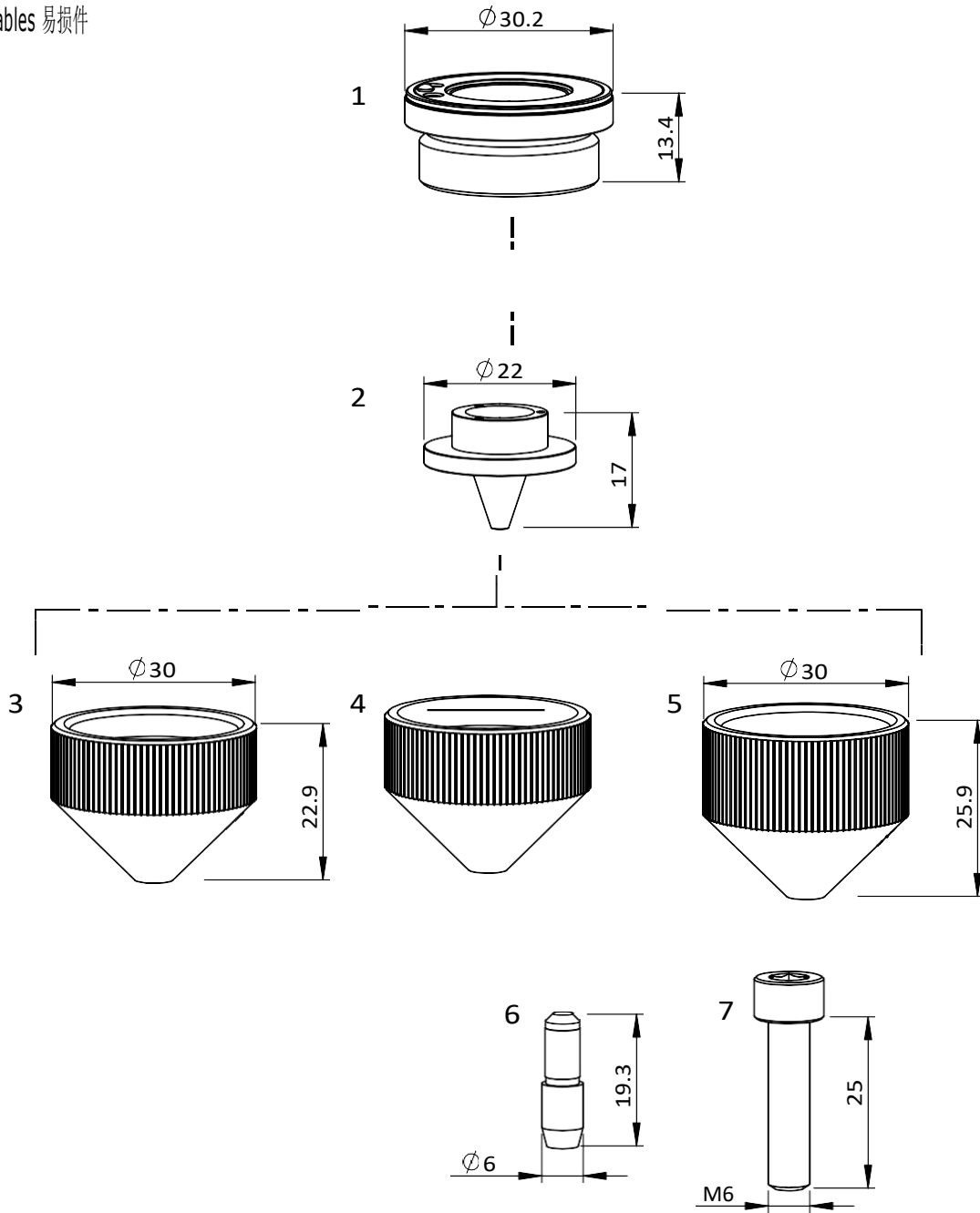
Consumables 易损件



## Consumables 易损件

	Centricut P/N	Raysoar P/N	OEM Ref. No.	Description	Pkg qty
1	MB334-0001		P0594-860-00001, PHX-INS	MB-Nozzle holder	1
	MB334-W290 (not shown)		W290, 71800107	MB-O-ring	1
	AM326-0017			AM-Nozzle, 1.7 mm	1
	AM326-0018	LMBN02-2215D	71800018, BQ943D157H01	AM-Nozzle, 1.5 mm	1
	AM326-0019	LMBN02-2220D	71800019, BQ943D157H02	AM-Nozzle, 2.0 mm	1
2	AM326-0020	LMBN02-2225D	71800020, BQ943D157H03	AM-Nozzle, 2.5 mm	1
	AM326-0021	LMBN02-2230D	71800021, BQ943D157H04	AM-Nozzle, 3.0 mm	1
	AM326-0022	LMBN02-2235D	71800022, BQ943D596H01	AM-Nozzle, 3.5 mm	1
	AM326-0023	LMBN02-2240D		AM-Nozzle, 4.0 mm	1
	AM387-0016		71800016, BQ943D897H01, W18Q94389701	AM-Nozzle HV, 1.0 mm	1
3	AM387-1901		W18Q93309101	AM-Nozzle HV, 2.5 mm	1
	AM387-1902		W18Q93309102	AM-Nozzle HV, 3.0 mm	1
4	AM387-0001	LMBN02-2210D	BQ933D283H01	AM-Nozzle w/radius no groove, 1.0 mm	1
	MB327-327-1		W777	MB-Nozzle, 1.0 mm	1
	MB327-777		W777-1.2	MB-Nozzle, 1.2 mm	1
	MB327-266		W266	MB-Nozzle, 1.5 mm	1
5	MB327-267		W267	MB-Nozzle, 2.0 mm	1
	MB327-776		W776	MB-Nozzle, 2.5 mm	1
	MB327-268		W268	MB-Nozzle, 3.0 mm	1
	MB327-268-3.5		W268-3.5	MB-Nozzle, 3.5 mm	1
	MB327-0010			MB-Nozzle, 1.0 mm	1
	MB327-0012			MB-Nozzle, 1.2 mm	1
6	MB327-0015			MB-Nozzle, 1.5 mm	1
	MB327-0017			MB-Nozzle, 1.7 mm	1
	MB327-0020			MB-Nozzle, 2.0 mm	1
	MB327-0025			MB-Nozzle, 2.5 mm	1
7	AM387-0017	LMBN02-2212D	71800017, BQ943D269H01, W18Q93326901	AM-Nozzle HV w/radius, 1.2 mm	1
8	AM387-2701	LMBN02-2217D	W18Q93302701	AM-Nozzle HV, 1.7 mm	1
9	MB327-263		W263	MB-Nozzle nut	1
10	MB327-263S		P0593-865-00001	MB-Nozzle nut short	1
11	AM367-0269		71800026, BQ933D94H01	AM-Nozzle nut short	1
12	AM416-0009		71800009, P921K000P25, JPZA5-6, LC47400	AM-Safety pin	1
13	AM416-A005		71800008, L2490A005, LC50700, P903K001P72, LQ36200	AM-Safety screw	1

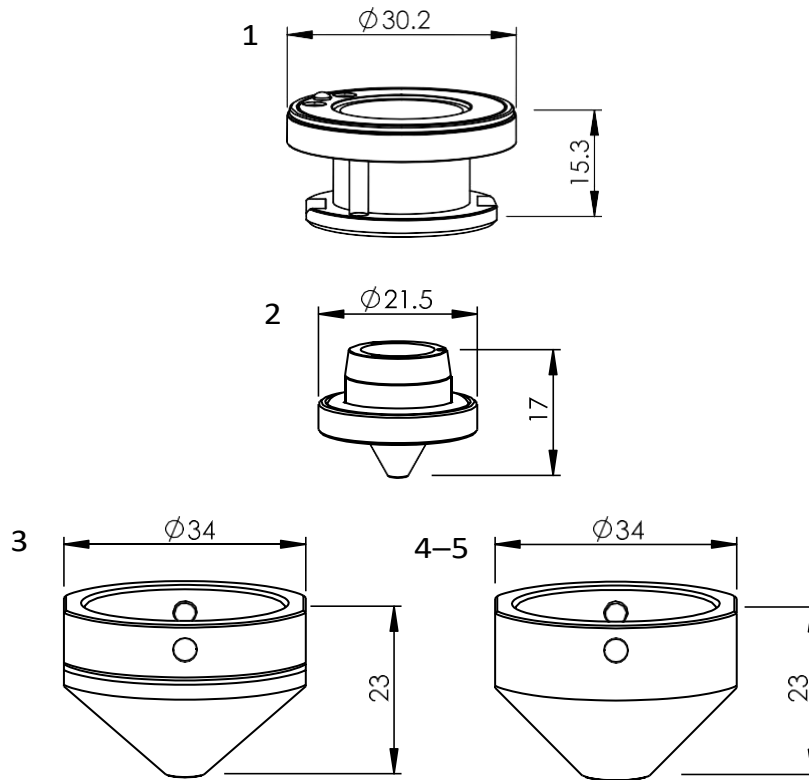
Consumables 易损件



## Consumables 易损件

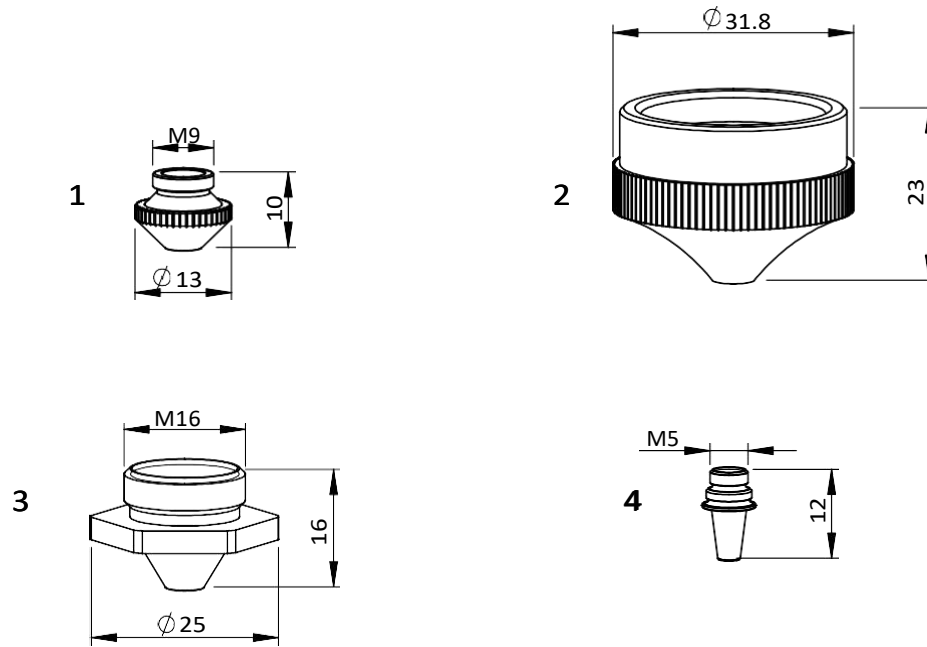
	Centricut P/N	Raysoar P/N	OEM Ref. No.	Description	Pkg qty
1	MB334-0001		P0594-860-00001, PHX-INS	MB-Nozzle holder	1
	MB334-W290 (not shown)		W290, 71800107	MB-O-ring	1
	MB316-390		W390	MB-Nozzle inner 4 holes, 1.3 mm	1
	MB316-270	LMBN02-270	W270	MB-Nozzle inner 8 holes, 1.3 mm	1
	MB316-388		W388	MB-Nozzle inner 16 holes, 1.3 mm	1
	MB316-515	LMBN02-515	W515	MB-Nozzle inner 24 holes, 1.5 mm	1
	MB316-1121		L1121	MB-Nozzle inner 3 holes, 1.5 mm	1
	MB316-1127		L1127	MB-Nozzle inner 4 holes, 1.5 mm	1
2	MB316-1117		L1117	MB-Nozzle inner 5 holes, 1.5 mm	1
	AM387-0023		71800023, BQ943D156H01, W270-1.5	MB-Nozzle inner 8 holes, 1.5 mm	1
	AM387-0024		71800024, BQ943D156H01, BQ943D156H03	MB-Nozzle inner 24 holes, 1.5 mm	2
	MB316-1122		L1122	MB-Nozzle inner 3 holes, 2.0 mm	1
	MB316-1116		L1116	MB-Nozzle inner 4 holes, 2.0 mm	1
	MB316-1118		L1118	MB-Nozzle inner 6 holes, 2.0 mm	1
	AM387-0025		W270.2	MB-Nozzle inner 8 holes, 2.0 mm	1
	AM387-0026		W515.2	MB-Nozzle inner 24 holes, 2.0 mm	1
	MB316-0508			MB-Nozzle outer, 1.2 mm	1
	MB316-0510			MB-Nozzle outer, 1.5 mm	1
	MB316-0509			MB-Nozzle outer, 1.7 mm	1
3	MB316-0511			MB-Nozzle outer, 2.0 mm	1
	MB316-0515			MB-Nozzle outer, 2.3 mm	1
	MB316-0512			MB-Nozzle outer, 2.5 mm	1
	MB316-0513			MB-Nozzle outer, 3.0 mm	1
	MB316-0514			MB-Nozzle outer, 3.5 mm	1
4	MB316-268			MB-Shield cap, short w/o step	1
	MB316-268CP			MB-Shield cap, short w/o step CP	1
5	MB316-269		W269	MB-Shield cap	1
6	AM416-0009		71800009, P921K000P25, JPZA5-6, LC47400	AM-Safety pin	1
7	AM416-A005		71800008, L2490A005, LC50700, P903K001P72, LQ36200	AM-Safety screw	1

## Consumables 易损件



	Centricut P/N	Raysoar P/N	OEM Ref. No.	Description	Pkg qty
1	MB327-0311		BQ980D311G02, LX54300, LCF9400	MB-Nozzle holder, EX insulation	1
2	MB327-1748 <b>NEW</b>	LMBN05-1708 LMBN05-1724	BQ983D206H03 BQ983D206H04	MB-Nozzle EX inner 4 holes w/o-ring, 1.3 mm	1
	MB327-1749			MB-Nozzle EX inner 3 holes w/o-ring, 1.5 mm	1
	MB327-1751			MB-Nozzle EX inner 4 holes w/o-ring, 1.5 mm	1
	MB327-1753			MB-Nozzle EX inner 6 holes w/o-ring, 1.5 mm	1
	MB327-1755			MB-Nozzle EX inner 8 holes w/o-ring, 1.5 mm	1
	MB327-1757			MB-Nozzle EX inner 24 holes w/o-ring, 1.5 mm	1
	MB327-1750			MB-Nozzle EX inner 3 holes w/o-ring, 2.0 mm	1
	MB327-1752			MB-Nozzle EX inner 4 holes w/o-ring, 2.0 mm	1
	MB327-1754			MB-Nozzle EX inner 6 holes w/o-ring, 2.0 mm	1
	MB327-1756 <b>NEW</b>			MB-Nozzle EX inner 8 holes w/o-ring, 2.0 mm	1
MB327-1758	MB-Nozzle EX inner 24 holes w/o-ring, 2.0 mm	1			
3	MB327-0472		BQ980D434G01	MB-Nozzle EX outer for material, 1.5 mm	1
	MB327-0473			MB-Nozzle EX outer for material, 2.0 mm	1
	MB327-0474			MB-Nozzle EX outer for material, 2.5 mm	1
	MB327-0475			MB-Nozzle EX outer for material, 3.0 mm	1
	MB327-0476			MB-Nozzle EX outer for material, 3.5 mm	1
	MB327-0434			MB-Nozzle EX outer for thick material, 4.0 mm	1
4	MB327-4423		BQ980D442G03	MB-Nozzle EX outer, 4.0 mm	1
5	MB327-4421		BQ980D442G01	MB-Nozzle EX outer, 7.0 mm	1




**Consumables 易损件**

	Centricut P/N	Raysoar P/N	OEM Ref. No.	Description	Pkg qty
1	PT344-0013X		280013, P0492-441-00008, W222	PT-Nozzle FP, 0.8 mm (10 pk)	10
	PT344-0014			PT-Nozzle FP, 1.0 mm	1
	MB336-223X		280014, P0492-442-00010, W223	MB-Nozzle FP, 1.0 mm (10 pk)	10
	PT344-0015X		280015, P0492-443-00012, W228	PT-Nozzle FP, 1.2 mm (10 pk)*	10
	PT344-0016			PT-Nozzle FP, 1.5 mm	1
	MB336-224X		280016, P0492-444-00015, W224	MB-Nozzle FP, 1.5 mm (10 pk)	10
	PT344-0018X		P0492-447-00018	PT-Nozzle FP, 1.8 mm (10 pk)*	10
	PT344-0937			PT-Nozzle FP, 2.0 mm	1
	MB336-225X		280937, P0492-445-00020, W225	MB-Nozzle FP, 2.0 mm (10 pk)	10
	PT344-1791			PT-Nozzle FP, 2.5 mm	1
	MB336-226X		281791, P0492-446-00025, W226	MB-Nozzle FP, 2.5 mm (10 pk)	10
	MB336-0005			PT-Nozzle FP, 3.0 mm	1
	MB336-0005X			PT-Nozzle FP, 3.0 mm (10 pk)	10
	PT344-0010CPX		280014, P0492-442-00010, W223	PT-Nozzle FP, 1.0 mm CP (10 pk)	10
2	AM416-0003			AM-Nozzle outer, 2.0 mm	1
	AM416-0004			AM-Nozzle outer, 2.5 mm	1
	AM416-0005			AM-Nozzle outer, 3.0 mm	1
	AM416-0006			AM-Nozzle outer, 4.0 mm	1
3	MB330-001		W001-A	MB-Nozzle, 1.5 mm	1
	MB330-002		W002-A	MB-Nozzle, 2.0 mm	1
4	MB336-0018		BKO-NB8358H03, BQ949D117, P0352-377-00018	MB-Nozzle DE M1.5" 1.8H, 1.8 mm	1

\* Parts available in single packs. To order single packs, remove the 'X' at the end of the part number (e.g. AM123-4567X would be AM123-4567).

## Optics 光学元件



## CO2 Focus Lens CO2聚焦镜

Raysoar P/N	OEM Ref. No.	Description	Brandname
1 LUPO01-8108	W500	Lens Plx 1.5"Dia/5.0"FL/.310"ET	II-VI
2 LUPO01-8938	W018	Lens Plx 1.5"Dia/7.5"FL/.310"ET	II-VI
3 LMBO01-2020	LH892020P,W510 ND6019H41	Lens Plx 2.0"Dia/7.5"FL/.310"ET	II-VI
4 LMBO01-4725	LH304725P,W505	Lens Plx 2.0"Dia/5.0"FL/.310"ET	II-VI

Raysoar P/N	OEM Ref. No.	Description	Brandname
1 LUPO01-1916	W018	Lens Plx 1.5"Dia/7.5"FL/7.8mmET	OPHIR
2 LUPO01-1917	W500	Lens Plx 1.5"Dia/5.0"FL/7.8mmET	OPHIR
3 LMBO01-2728	ND6019H45,Z50ZZ005160,W505	Lens Plx 2.0"Dia/5.0"FL/7.9MMET	OPHIR
4 LMBO01-2729	ND6019h41 W510,Z50ZZ006730	Lens Plx 2.0"Dia/7.5"FL/7.9MM ET	OPHIR

Raysoar P/N	OEM Ref. No.	Description	Brandname
1 LMBO01-2020A	LH892020P, W510, 892020,ND6019H41	Lens Plx 2.0"Dia/7.5"FL/.310"ET	Raysoar
2 LMBO01-4725A	LH304725P,W505	Lens Plx 2.0"Dia/5.0"FL/.310"ET	Raysoar

## Optics 光学元件 — CO2 Folding Mirror 激光腔外反射镜



	Raysoar P/N	OEM Ref. No.	Description	Brandname
1	LMBO02-1798	W102, 61798, 370229	Mirror CU ZPS 2.0"Dia/0.200"ET	II-VI
2	LMBO02-6494	586494, W643	Mirror CU TRZ 3.0"DIA/.591"ET	II-VI
3	LMBO02-6643	R298,276643	Mirror CU DEMMR 2.36"Dia"/.118"ET	II-VI
4	LMBO02-8125	R160, 798125	Mirror CU TRZ 3.0"Dia/.236"ET	II-VI
5	LMBO02-8306	61799, R051	Mirror CU ZPS 2.36"Dia/.236"ET	II-VI
6	LMBO02-8570	148570, 61796	Mirror CU TRZ 1.1"DIA/.236"ET	II-VI
7	LMBO02-W644		Mirror CU TRZ 2.36"DIA/.591"ET	II-VI
8	LMBO02-6330	876330, W1528	Mirror CU MMR 2.36"Dia/.236"ET/22MCC	II-VI
9	LMBO02-7855	W1529, 467855	Mirror CU MMR 2.36"Dia/.236"ET/15MCC	II-VI
10	LMBO02-1058	R004, 61058	Mirror SI PS 2.0"Dia/.200"ET	II-VI
11	LMBO02-4069		Mirror CU PS 3.0"Dia/.591"ET	II-VI

**Optics 光学元件—Optics for Oscillator CO2 激光腔内镜片**


Raysoar P/N	OEM Ref. No.	Description	Brandname
1 LMBO03-7233		Mirror ZNSE OC 1.5"Dia/.236"ET/10MC-30%/20MX	II-VI
2 LMBO03-9832	Z50MBP00520	Mirror ZNSE OC 1.1"Dia/.220"ET/10MCC-60%/5MCX	II-VI
3 LMBO03-MB508	R508	Mirror ZNSE OC 1.5"Dia/.236"ET/10MCC-30	II-VI
4 LMBO03-R259	R259	Mirror ZNSE OC 1.5"Dia/.236"ET/10MCC-17%/15MCX	II-VI
5 LMBO03-R500	R500,BKO-ND7000-H11	Mirror ZNSE OC 1.5"Dia/.236"ET/20MCC-30%/PLANO	II-VI
6 LMBO03-R502	R502	Mirror ZNSE OC 1.5"Dia/.236"ET/20MCC 50%	II-VI
7 LMBO03-R508	R508,R322	Mirror ZNSE OC 1.5"Dia/.236"ET/10MCC-30%/10MCX	II-VI
8 LMBO03-R519	R519,LC63800,BQ210C458G01	Mirror ZNSE OC 1.5"Dia/.236"ET/10MCC/10MCX	II-VI
9 LMBO03-R570	R570	Mirror ZNSE OC 2.0"Dia/.236"ET/14MCC-17%/20MCX	II-VI
10 LMBO04-R003	R003,ND6481H25	Mirror ZNSE RM 1.5"Dia/.236"ET/20MCC-99%	II-VI
11 LMBO04-R572	R572	Mirror ZNSE RM 1.5"Dia/.354"ET/25MCC-99%	II-VI
12 LMBO02-R106	R106,OND7776H01,LA37500	Mirror SI TRZ 1.1"Dia/.236"ET	II-VI
13 LMBO02-2518	R107	CU REFLECTOR 50mmDIA 9mmTHK PO/SPT EG/UC	II-VI
14 LMBO02-R321	R321,LA68000,BKO-ND7836H01	Mirror SI TRZ 1.96"Dia/.354"ET	II-VI
15 LMBO02-R571	R571	Mirror SI TRZ 1.1"Dia/.236"ET	II-VI

## Optics 光学元件—Optics for Fiber 光纤激光镜片



	Raysoar P/N	OEM Ref. No.	Description	Brandname
1	LPTO11-5080D	279853	Fused Silica PW D50.00 T8.0 AR/AR@1064nm	Rpower
2	LPTO11-2540D		Fused Silica PW D25.40 T4.0 AR/AR@1064nm	Rpower
3	LAM001-0838		Fused Silica Focus Lens D50.8 F190.5 T11.4 AR/AR@1064nm	Rpower
4	LMBO01-8858		Fused Silica Focus Lens D50.8 F190.5 T11.4 AR/AR@1064nm	II-VI
5	LMBO01-2557		Fused Silica Focus Lens D25.4 F112.5 AR/AR@1064nm	OPHIR
6	LMBO01-2556		Fused Silica Focus Lens D25.4 F225.0 AR/AR@1064nm	OPHIR

## Cooling Unit 水冷单元

	Raysoar P/N	OEM Ref. No.	Description
1	LMBW07-0700	BKO-ND9136H00	交换树脂 MB-4 (5L)

## 激光混合气体

	Raysoar P/N	OEM Ref. No.	Description
1	LMBL13-L105		四元混合气 Lasal 105 CO2%:He%:N2%:CO%=8:28:60:4



1



2



3



4



5



6



7



8



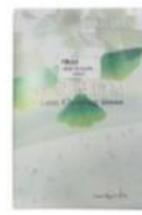
9



10



11



12



13



14

**Optics Accessories 清洁用品/保养工具**

	Raysoar P/N	OEM Ref. No.	Description
1	LOPC15-1260		Focus Lens Stress Detection Kit (Ophir EZ Test)(1.5" lens)聚焦镜应力检查套装 (1.5")
	LOPC15-1280		Focus Lens Stress Detection Kit (Ophir EZ Test)(2.0" lens)聚焦镜应力检查套装 (2")
2	LTRC15-7388		Mirror Polish 进口研磨膏 .1UM 80ML
3	LRSC15-ALCO-500		Ethanol 无水乙醇试剂99.7%
4	LRSC15-A236		IPA Isopropyl异丙醇 A236 400ml
5	LRSC15-GSBL		Air Duster 强力清洁气 85g
6	LRSC15-FCS3		Optics Cleaning Liquid (Imported)优质光学清洗液58ml
7	LRSC15-ACET-500		Optics Cleaning Liquid 光学元件清洁液 500ml
8	LRSC15-0714		Knit polyester swabs 聚酯纤维净化棉签20pcs
9	LRSC15-759B		Knit polyester swabs 聚酯纤维净化棉签 100pcs
10	LRSC15-9625		Knit polyester swabs 聚酯纤维净化棉签 50pcs
11	TR300-6452		Original Tiffan Lens Cleaning Paper (50 sheets)进口拭镜纸50页
12	LRSC15-CLPA		Domestic Lens Cleaning Paper (40 sheets)国产拭镜纸40页
13	TR300-1115		Lens cleaning cotton pads -80 pcs 拭镜棉(80 片)
14	LRSC15-KT3008		Cleanroom wipers 无尘布KX KT-3008 9"